

# Enardo 1000

## Lock Down Hatch

### Introduction

Enardo™ 1000 lock down hatches provide access for storage tanks. When closed, it assures a vapor tight seal that prevents leakage and evaporation loss. It is designed for easy installation, inspection and maintenance providing trouble free operation. Its non-sparking design provides easy access for gauging, sampling, temperature measurement or inspection.

### Valve Setting Range

#### Bolt Pattern 1

8 in. ANSI 150 lb.

#### Bolt Pattern 2

8 in. API

### Construction Materials

#### Construction

Base, Arm and Lid: Aluminum

Gasket: Closed Cell Sponge Neoprene (CR)

#### Optional Equipment

Special Application Gasketing, Bolt and Gasket Set, Base Gasket only and Non-corrosive Coating Foot Pedal Operator

### Approximate Shipping Weight

20 lbs



Figure 1. Enardo 1000

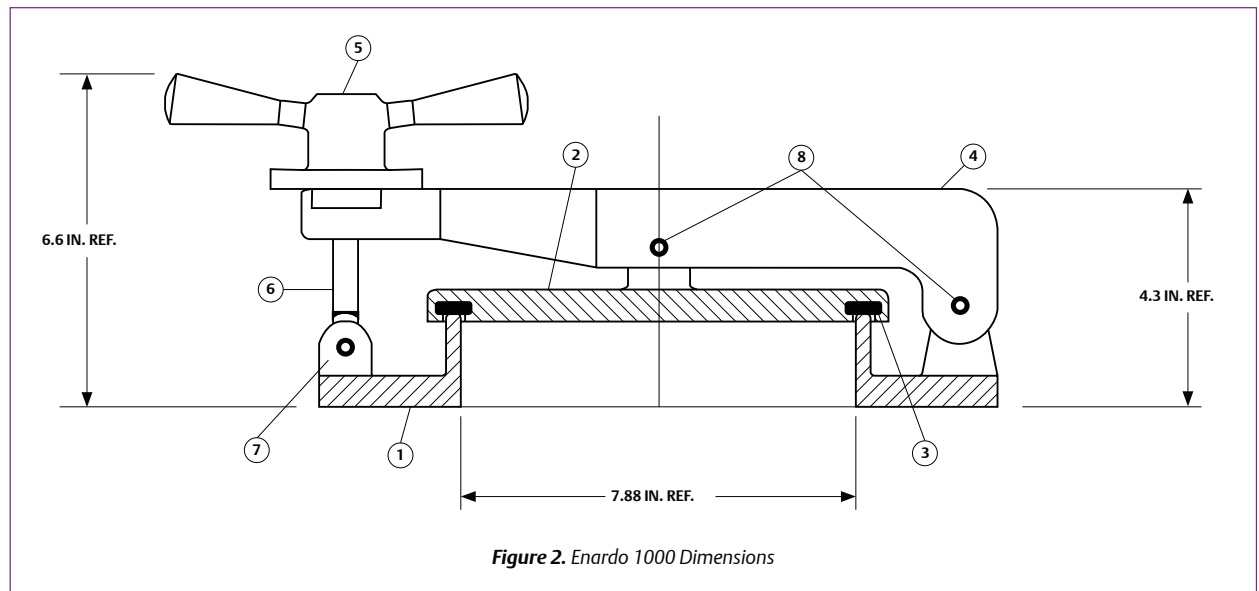


Figure 2. Enardo 1000 Dimensions

Table 1. Enardo 1000 Parts List

KEY	PART NUMBER	PART NAME	MATERIAL	QUANTITY
1	1008-01	Base	Cast Aluminum	1
2	1008-02	Lid	Cast Aluminum	1
3	1008-03	Lid Gasket	Nitrile (NBR)	1
4	1008-04	Arm	Cast Aluminum	1
5	1008-05	Handle	Cast Aluminum	1
6	1008-06	Swing Bolt	Cast Aluminum	1
7	1007-07	Roll Pin 1 x 1.38	Plated Steel	1
8	1008-08	Roll Pin 2 x 2	Plated Steel	2



A John M. Ellsworth Company

John M. Ellsworth Co., Inc.

P.O. Box 240072  
8700 West Bradley Road  
Milwaukee, WI 53224

800-333-3331 **PHONE**  
800-563-8858 **FAX**

info@jmesales.com **E-MAIL**  
www.JMESales.com **WEB**